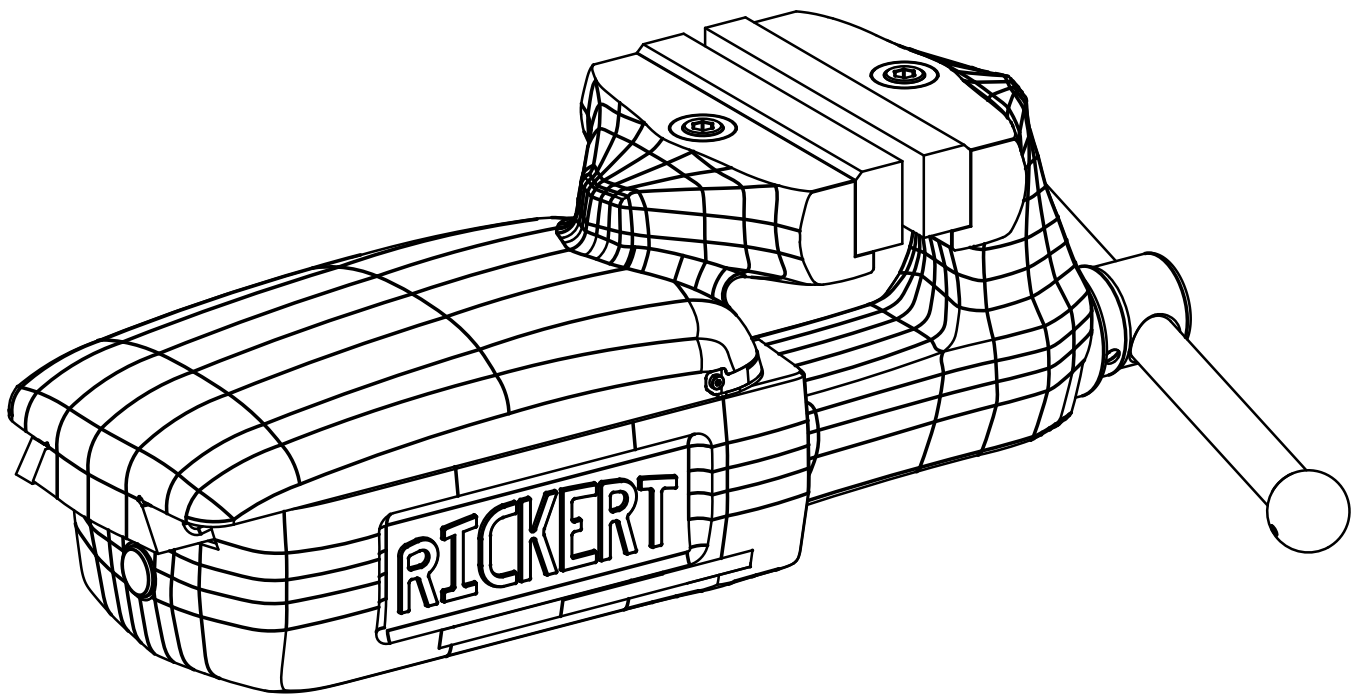


# MODEL 105 VISE



GALLICCHIO & RICKERT AS — OSLO NORWAY

# GALLICCHIO & RICKERT AS — OSLO NORWAY

---



WE MAINTAIN THE HIGHEST STANDARDS OF PRODUCTION, QUALITY, AND ETHICS. WE THEREFORE COLLABORATE ONLY WITH MACHINISTS, FOUNDRIES, AND OTHER SUPPLIERS WHO SHARE OUR VALUES AND DO NOT COMPROMISE FOR THE SAKE OF SHORT-SIGHTED GAIN.



\* ALL THE PARTS PRODUCED, MACHINED, AND FINISHED IN THE EU/EEA/CH, WITH THE POSSIBLE EXCEPTION OF JAPANESE MADE BEARINGS.

## INTRODUCTION

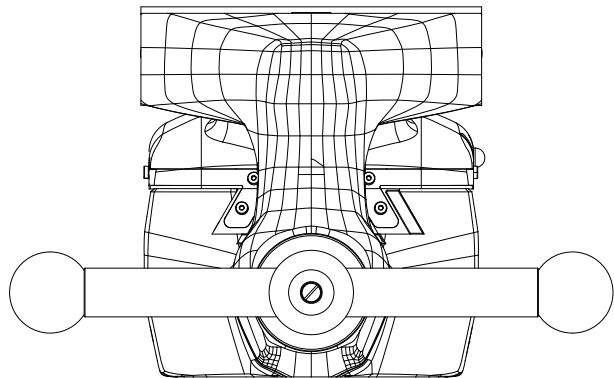
THIS IS A SPECIALIZED TOOL FOR PROFESSIONALS AND ARTISANS WHO UNDERSTAND THE INHERENT VALUE OF QUALITY AND FUNCTION. WE TAKE AN UNCOMPROMISING APPROACH TO DESIGN AND MANUFACTURING, IN ORDER TO CREATE THE MOST FINELY MADE BENCH VISE AVAILABLE. THERE ARE PLENTY OF INEXPENSIVE AND LOW-QUALITY VISES ON THE MARKET — THIS IS NOT ONE OF THOSE.

THE VISE IS DESIGNED TO REPRODUCE THE FEEL AND PERFORMANCE OF THE HIGHEST-GRADE MACHINE TOOL. IN KEEPING WITH THIS, THE CASTINGS ARE MADE FROM DUCTILE IRON. THE THREADED SPINDLE IS HARDENED AND RUNS IN ANGULAR CONTACT BEARINGS. THE MOVING JAW RIDES ON A DOVETAIL SLIDE WITH OIL GROOVES, A TAPERED GIB, WAY WIPERS, AND A TELESCOPING COVER. THE DESIGN ALSO INCORPORATES A CAMLOCK MECHANISM FOR QUICK-CHANGE JAWS, FURTHER ADDING TO THE VISE'S UTILITY.

THESE DETAILS WOULD NOT BE OUT OF PLACE ON A TOOLROOM LATHE, WHICH IS PRECISELY THE POINT.



## TECHNICAL DETAILS



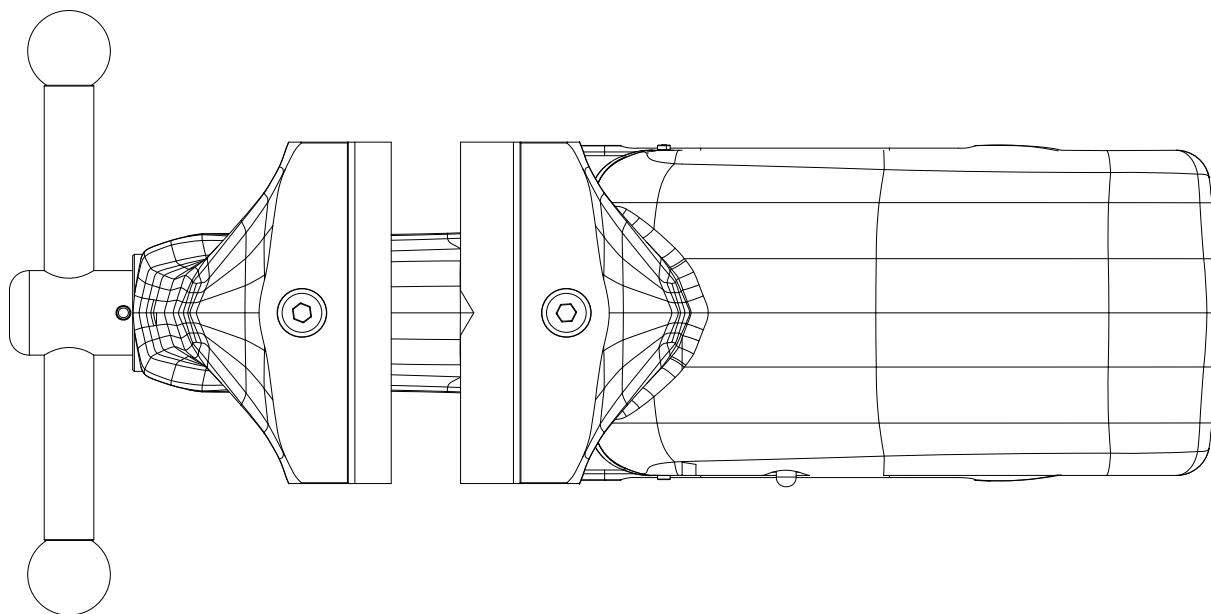
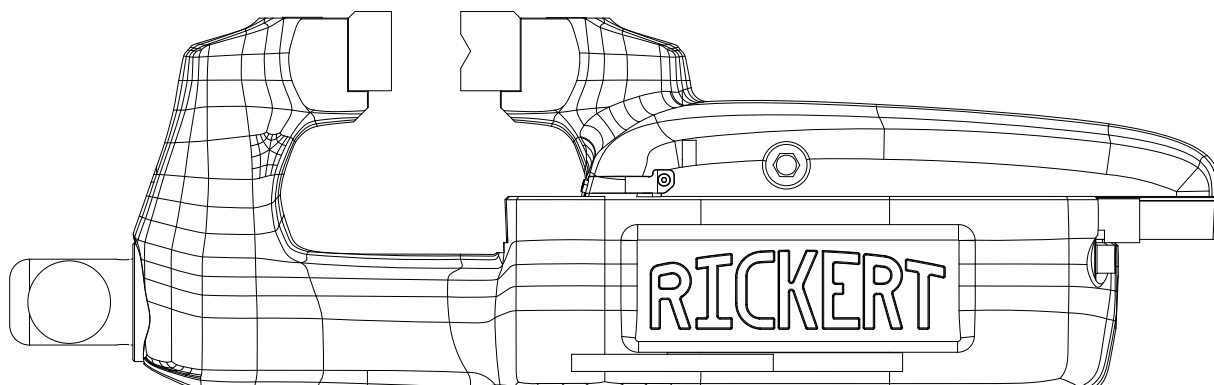
JAW WIDTH: 105MM

OPENING DISTANCE: 100MM

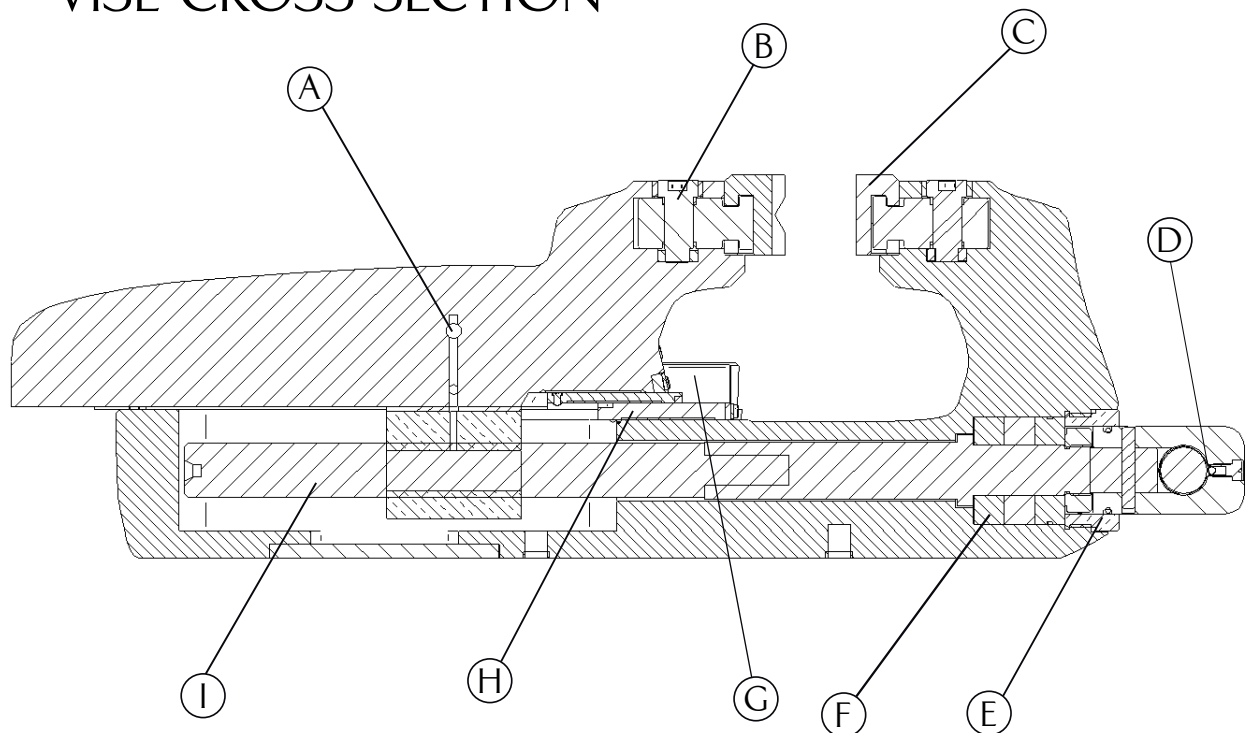
WISE LENGTH: 335MM

TOTAL WEIGHT: CIRCA 15KG

MATERIAL: ENG JS 500-7



## VICE CROSS SECTION



A: SINGLE POINT OILING SYSTEM WITH OIL GROOVES

B: CAMLOCK QUICK-CHANGE VISE JAWS

C: WIDE RANGE OF VISE JAW DESIGNS

D: HANDLE WITH BALL DETENTES

E: SPINDLE END SEAL

F: ANGULAR CONTACT BEARINGS

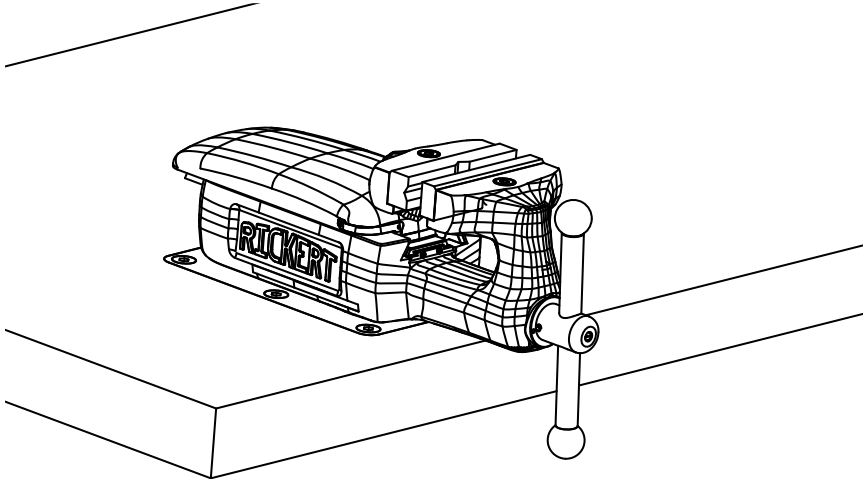
G: TAPERED GIB FOR WAYS

H: TELESCOPING COVERS FOR LEADSCREW

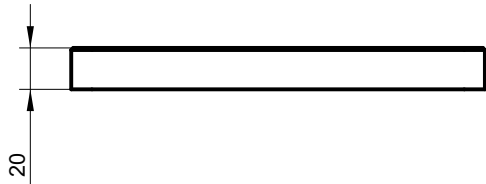
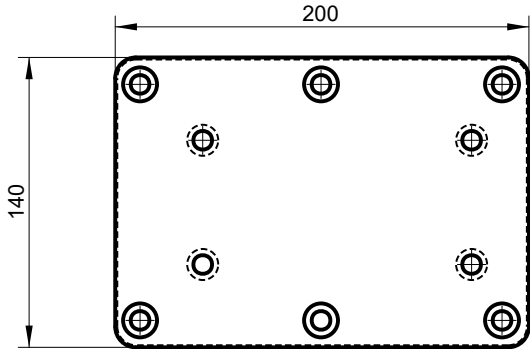
I: ROLLED AND HARDENED LEADSCREW WITH A BRONZE NUT



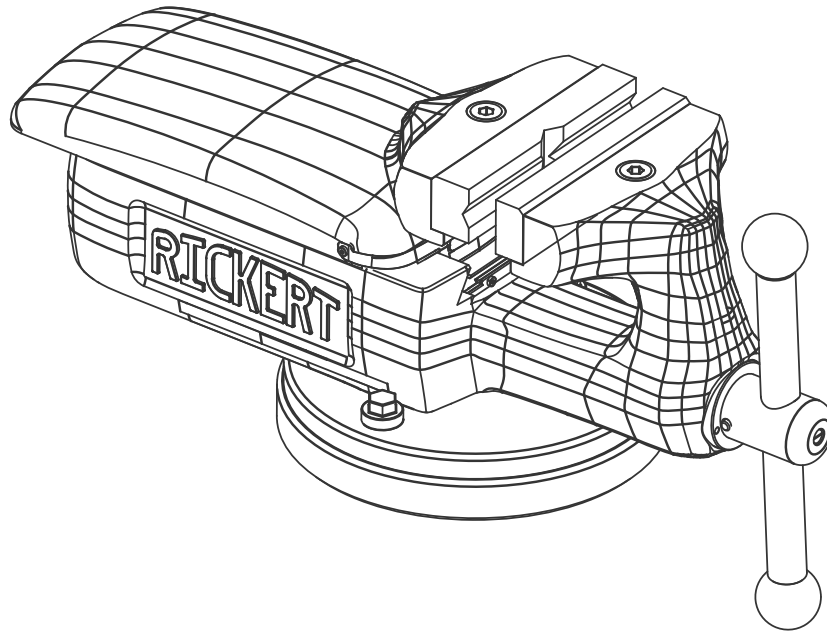
FIXED MOUNTING PLATE



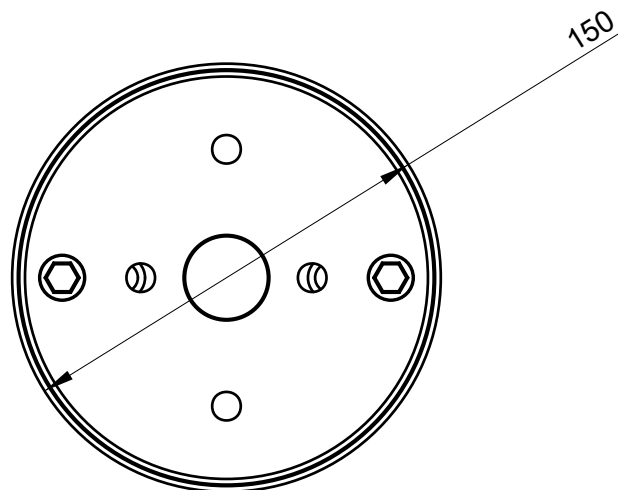
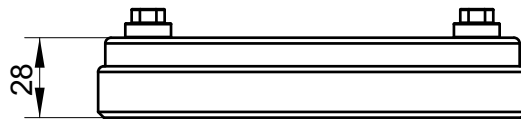
THIS PLATE IS INTENDED FOR USE WHEN THE VISE NEEDS TO BE MOUNTED WITHOUT ACCESS TO THE BOTTOM OF THE BENCH. IT MAY BE SET INTO THE BENCH OR MOUNTED ON TOP.



## SWIVELING VISE BASE



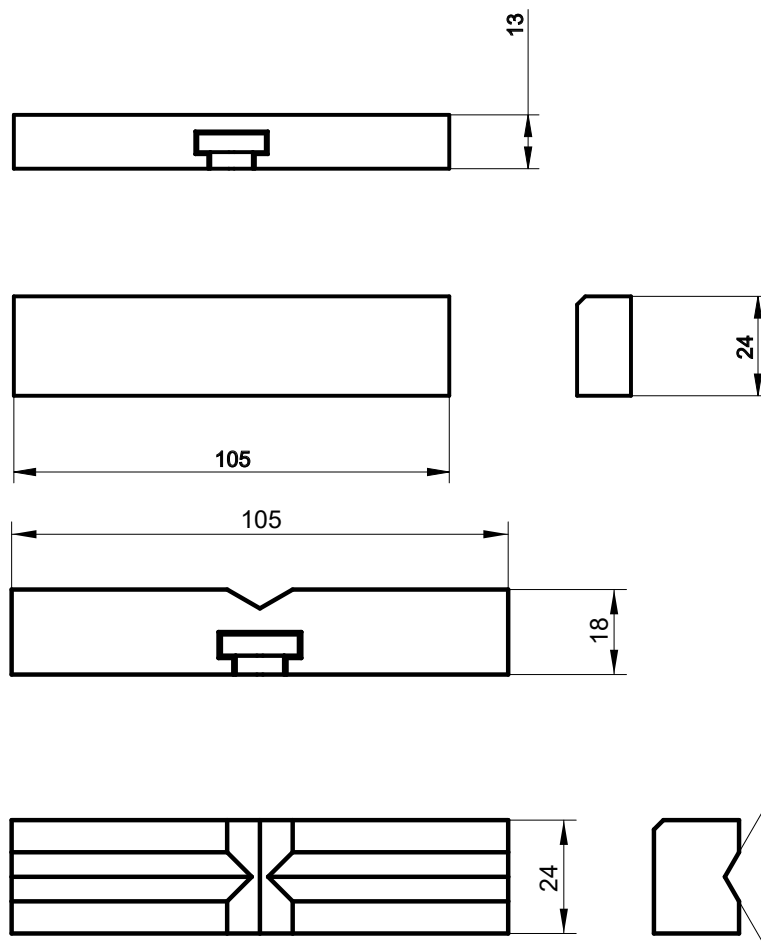
THIS OPTIONAL BASE ALLOWS THE VISE APPROXIMATELY 300 DEGREES OF ROTATIONAL ADJUSTMENT FOR SPECIAL APPLICATIONS.



## INTERCHANGEABLE JAWS

THE DESIGN OF THIS VISE FEATURES JAWS WHICH CAN BE SIMPLY AND QUICKLY CHANGED. THIS FEATURE MAKES USING A RANGE OF DIFFERENT JAWS MUCH MORE PRACTICAL THAN WITH TRADITIONAL VISES. RATHER THAN MAKING DO, YOU CAN USE THE RIGHT JAW FOR EACH JOB WITHOUT COMPROMISING THE FUNCTION FOR OTHER JOBS.

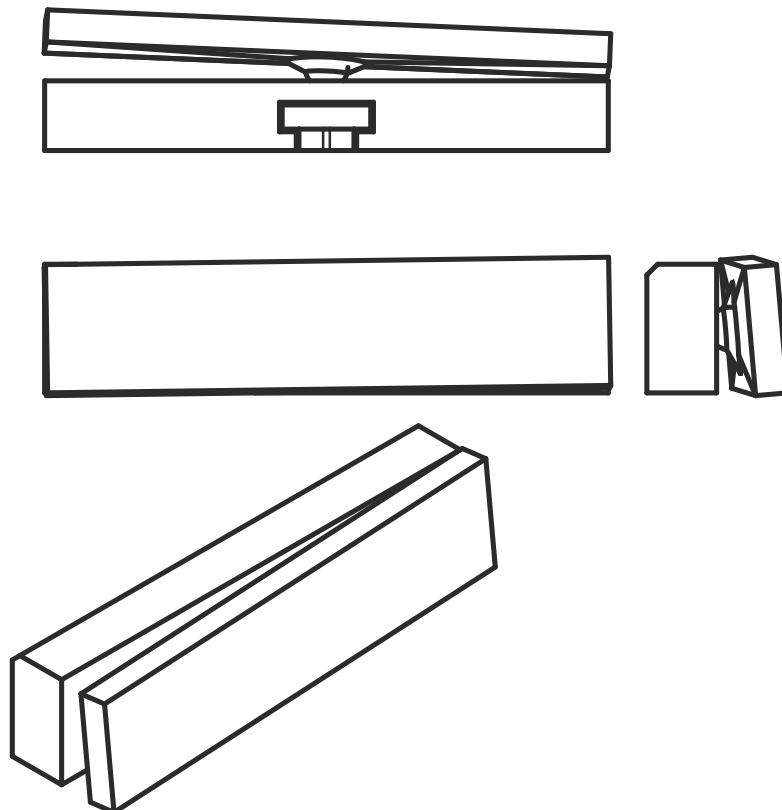
THE BASIC DESIGN OF THE JAWS IS SHOWN HERE, BUT THIS IS ONLY THE DEPARTURE POINT FOR THE POSSIBLE VARIATIONS.



## ADDITIONAL INTERCHANGEABLE JAWS

WHILE THE OWNER IS WELCOME TO MAKE THEIR OWN SPECIAL-PURPOSE JAWS, WE CAN PROVIDE A RANGE OF JAWS, SUCH AS LEATHER FACED, TILTING, AND SOFT JAWS.

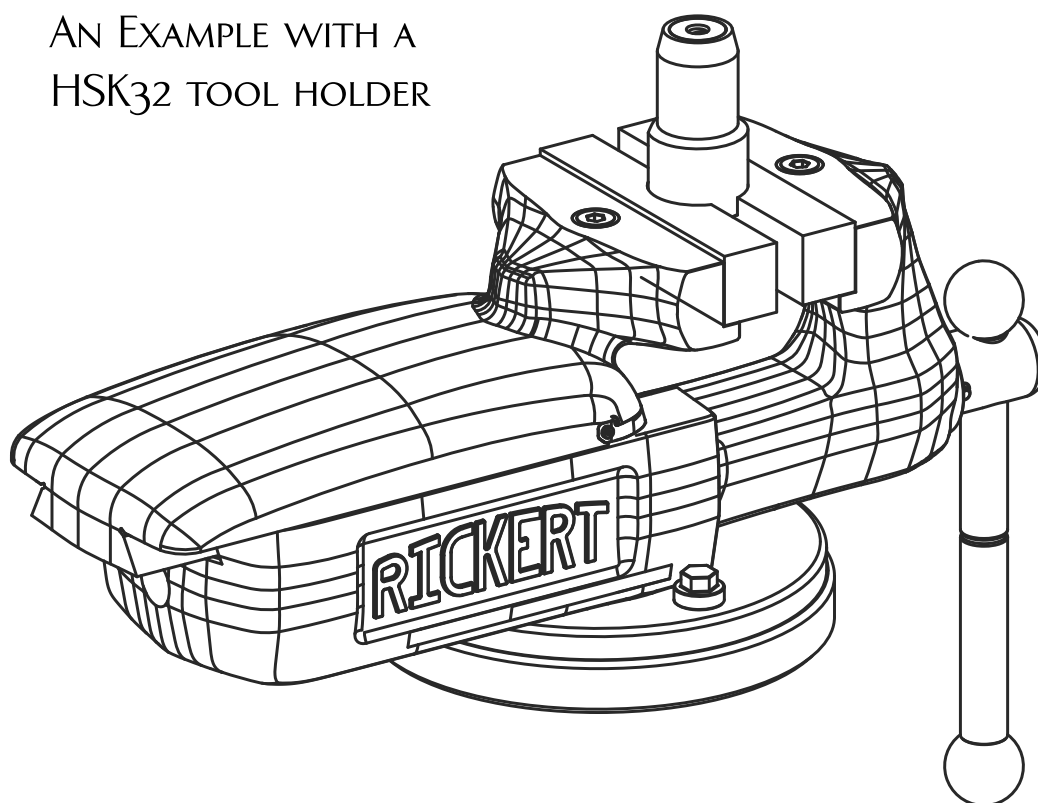
A TILTING JAW FOR LIGHT WORK IS SHOWN HERE. IT USES A BALL JOINT TO PERMIT TWO-AXIS ROTATION, MAKING IT MUCH EASIER TO SAFELY HOLD A VARIETY OF DIFFICULT PARTS. THESE JAWS MAY BE USED IN COMBINATION WITH FLAT JAWS OR IN PAIRS FOR SYMMETRIC TAPERED PARTS, SUCH AS KNIFE BLADES.



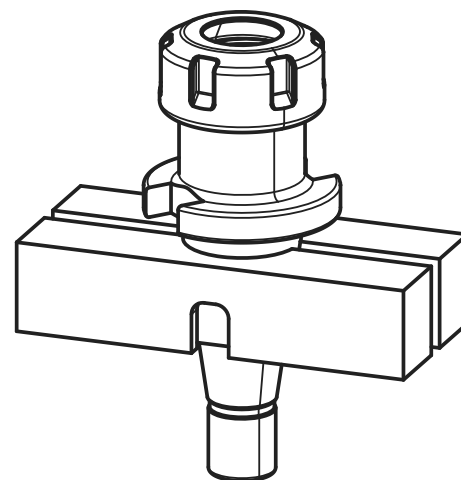
## SPECIAL-PURPOSE

AMONG THE SPECIALIZED JAWS AVAILABLE ARE THOSE DESIGNED TO HOLD MILLING TOOLING ON THE WORKBENCH.

AN EXAMPLE WITH A  
HSK32 TOOL HOLDER



OTHER HOLDERS SUCH AS  
ISO30 ARE ALSO WELL SUITED  
TO THIS APPLICATION



## PRICE LIST DECEMBER 2024

105MM VISE (W/ TWO FLAT JAWS)..... 3000€

PLEASE ENQUIRE ABOUT FINISH OPTIONS

### ACCESSORIES:

MOUNTING PLATE ..... 200€

ROTATING BASE ..... 600€

### JAWS:

FLAT JAW, HARDENED AND GROUND ..... 125€

VEE JAW, HARDENED AND GROUND ..... 200€

TILTING JAW HARDENED AND GROUND ..... 350€

LEATHER-FACED JAW ..... 130€

JAW BASE FOR MOUNTING SOFT JAWS ..... 150€

UNHARDENED STEEL SOFT JAW ..... 50€

HSK32 JAW PAIR .....300€

ISO/SK 30 JAW PAIR ..... 300€

CUSTOM JAWS .....ON REQUEST

ALL PRICES ARE WITHOUT TAXES OR FREIGHT COSTS.

SHIPMENT IS FROM WITHIN THE EU (NORWAY ON REQUEST).

